

RS2A THUR RS2M

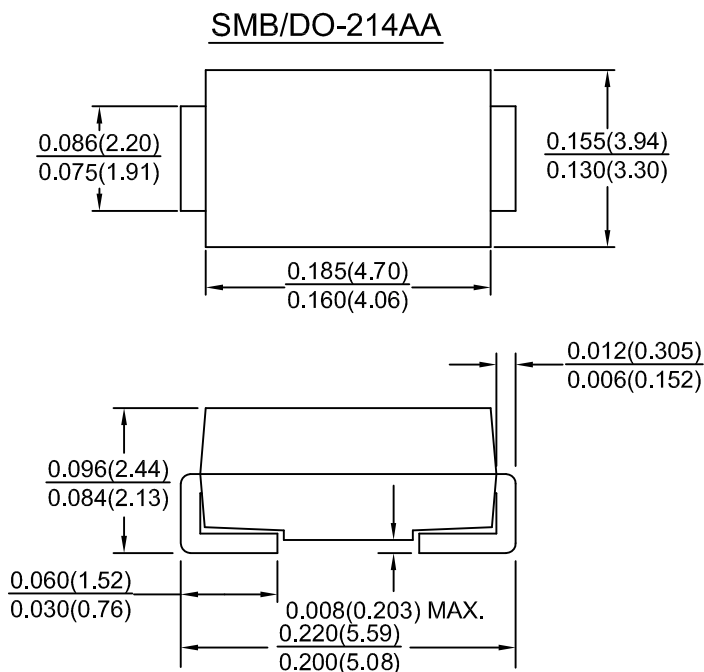
SURFACE MOUNT FAST RECOVERY RECTIFIERS

FEATURES:

- Plastic package has Underwriters
- Flammability Classification 94V-0
- For surface mounted applications in order to optimize board space
- Low profile package
- Built-in strain relief, ideal for automated placement
- Fast switching for high efficiency
- Glass passivated chip junction
- High temperature soldering :
250 °C /10 seconds at terminals

MECHANICAL DATA

Case: JEDEC DO-214AA molded plastic over passivated chip
 Terminals: Solder plated, solderable per MIL-STD-750, Method 2026
 Polarity: Color band denotes cathode end
 Weight: 0.093 grams



Dimensions in inches and (millimeters)

MAXIMUM RATINGS AND ELECTRICAL CHARACTERISTICS

Rating at 25° C ambient temp. unless otherwise specified.
 Single phase, half sine wave, 60 Hz, resistive or inductive load.
 For capacitive load, derate current by 20 %.

Characteristic	Symbol	RS2A	RS2B	RS2D	RS2G	RS2J	RS2K	RS2M	Units	
Maximum recurrent peak reverse voltage	VRRM	50	100	200	400	600	800	1000	Volts	
Maximum RMS voltage	VRRMS	35	70	140	280	420	560	7000	Volts	
Maximum DC blocking voltage	VDC	50	100	200	400	600	800	1000	Volts	
Maximum average forward rectified current at Ta=90° C	Io	2.0							Amp	
Peak forward surge current 8.3ms single half sine-wave superimposed on rated load(JEDEC Method)	IFSM	50							Amps	
Maximum instantaneous forward voltage at 2.0A	VF	1.30							Volts	
Maximum DC reverse current at rated DC blocking voltage	IR	5.0 200							μ A	
Maximum reverse recovery time (Note1)	trr	150				250		500		nS
Operating and storage temperature range	TJ, Tstg	-65 to +150							°C	

NOTES:

- (1) Reverse recovery test condition : I_F=0.5A, I_R=1.0A, I_{rr}=0.25A
- (2) Measured at 1.0 MHz and applied reverse voltage of 4.0 Volts
- (3) Thermal resistance from Junction to lead mounted on P.C.B. with 0.2x0.2"(5.0x5.0mm) copper Pad areas

RATINGS AND CHARACTERISTIC CURVES RS2A THRU RS2M

FIG.1 - FORWARD CORRENT DERATING CURVE

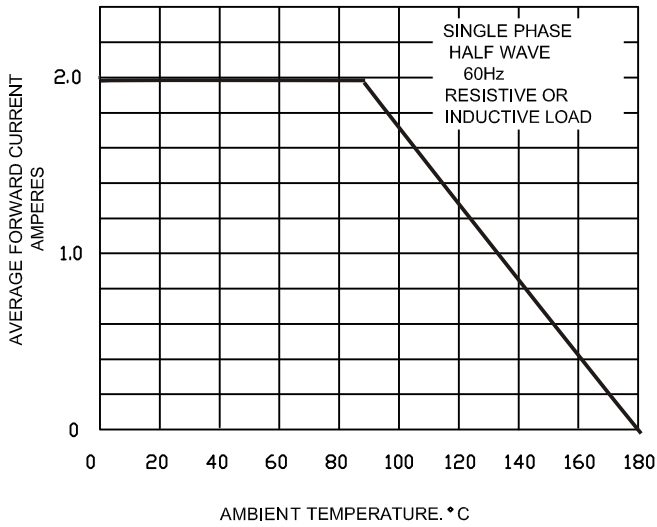


FIG.2 - MAXIMUM NON-REPETITIVE PEAK FORWARD SURGE CURRENT

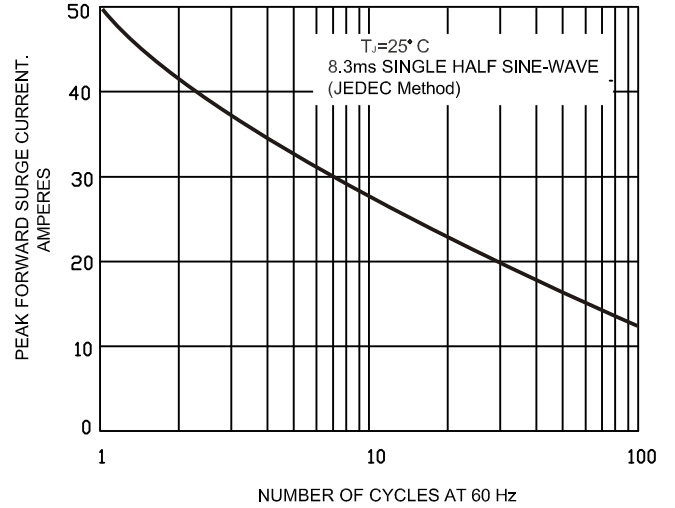


FIG.3 - TYPICAL INSTANTANEOUS FORWARD CHARACTERISTICS

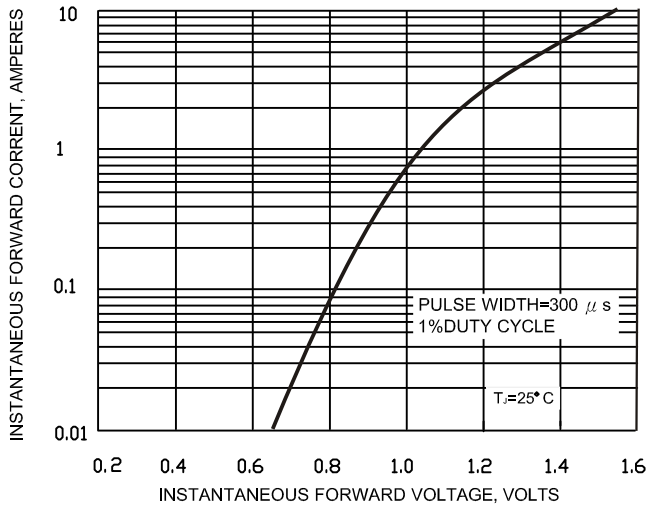


FIG.4-TYPICAL REVERSE CHARACTERISTICS

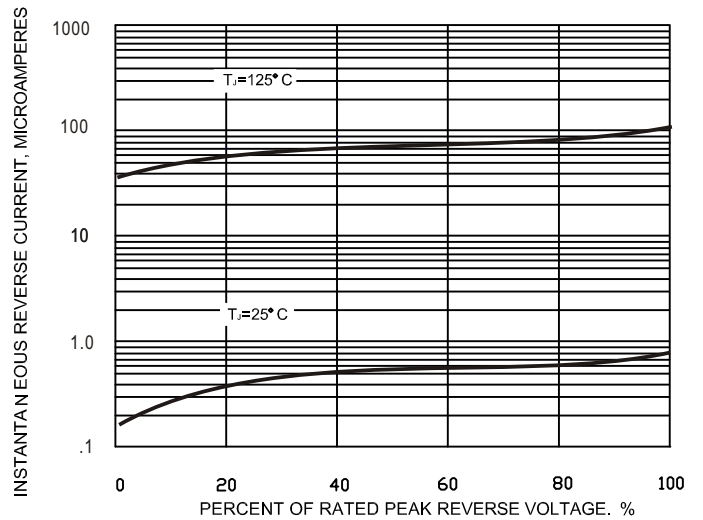


FIG.5-TYPICAL JUNCTION CAPACITANCE

