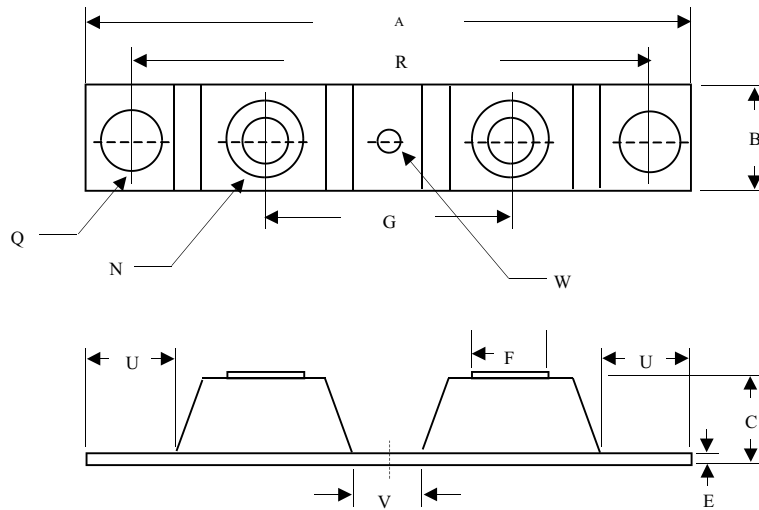


# PACKAGE OUTLINE

## TWIN TOWER



DIM	Inches		Millimeters	
	Min	Max	Min	Max
A	-----	3.360	-----	92.20
B	0.700	0.800	17.78	20.32
C	-----	0.650	-----	16.51
E	0.120	0.130	3.05	3.30
F	0.490	0.510	12.45	12.95
G	1.379 BSC		35.02 BSC	
N	1/4 20 UNC FULL			
Q	0.275	0.290	6.99	7.37
R	3.150 BSC		80.01 BSC	
U	0.600	-----	15.24	-----
V	0.312	0.370	7.92	9.40
W	0.180	0.195	4.57	4.95

Dimensions in inches and millimeters