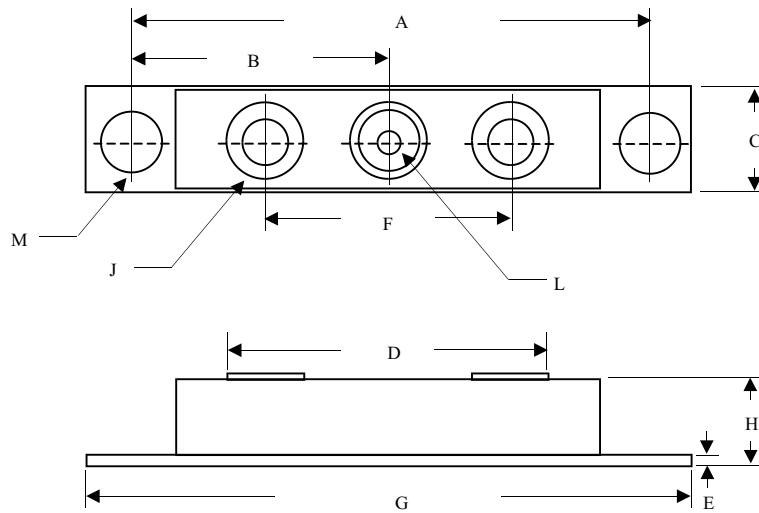


PACKAGE OUTLINE

FULL PAK



DIM	Inches		Millimeters	
	Min	Max	Min	Max
A	3.150	(NOM)	80.01	(NOM)
B	1.565	1.585	39.75	40.26
C	0.700	0.800	17.78	20.32
E	0.119	0.132	3.02	3.35
F	1.375	REF.	34.92	REF.
G	3.55	3.65	90.17	92.71
H	0.604	0.635	15.35	16.35
J	1/4 20 UNC FULL			
K	0.380	0.410	9.65	10.41
L	0.185	0.195	4.70	4.95
M	0.275	0.295	6.99	7.49

Dimensions in inches and (millimeters)