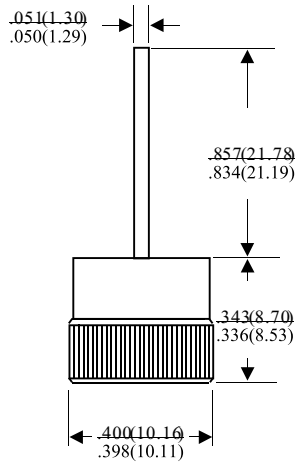


# PACKAGE OUTLINE

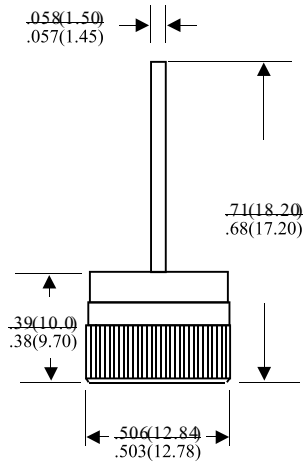
## PRESS-FIT

### LUCAS



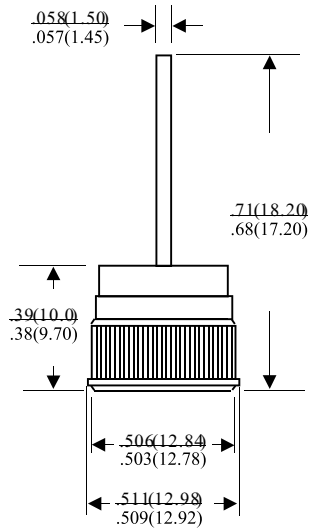
Dimensions in inches and (millimeters)

### BOSCH



Dimensions in inches and (millimeters)

### BOSCH(M TYP.)



Dimensions in inches and (millimeters)