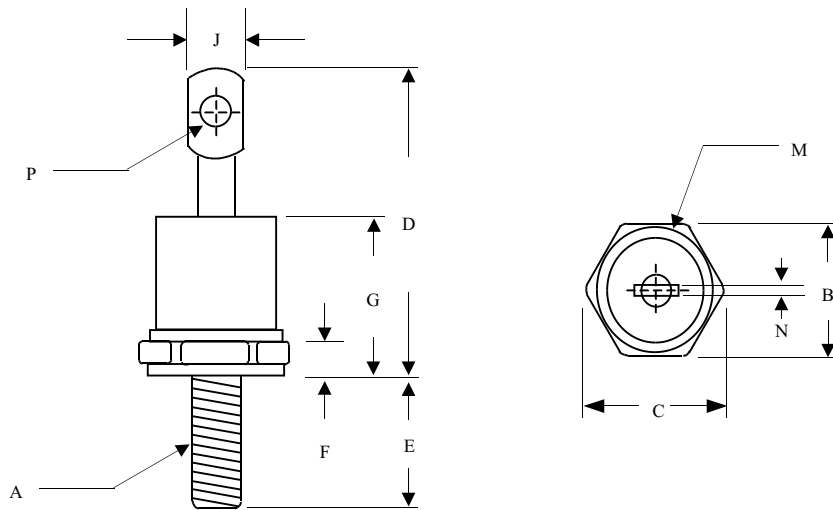


PACKAGE OUTLINE

DO 4



DIM	Inches		Millimeters	
	Min	Max	Min	Max
A	10-32 UNF 3A Threads Standard Polarity			
B	0.424	0.437	10.77	11.10
C	-----	0.505	-----	12.82
D	0.600	0.820	15.24	20.82
E	0.422	0.453	10.72	11.50
F	0.075	0.175	1.91	4.44
G	-----	0.405	-----	10.29
J	-----	0.310	-----	7.87
M	-----	0.413	-----	10.49
N	0.020	0.065	0.51	1.65
P	0.060	0.100	1.53	2.54

Dimensions in inches and (millimeters)